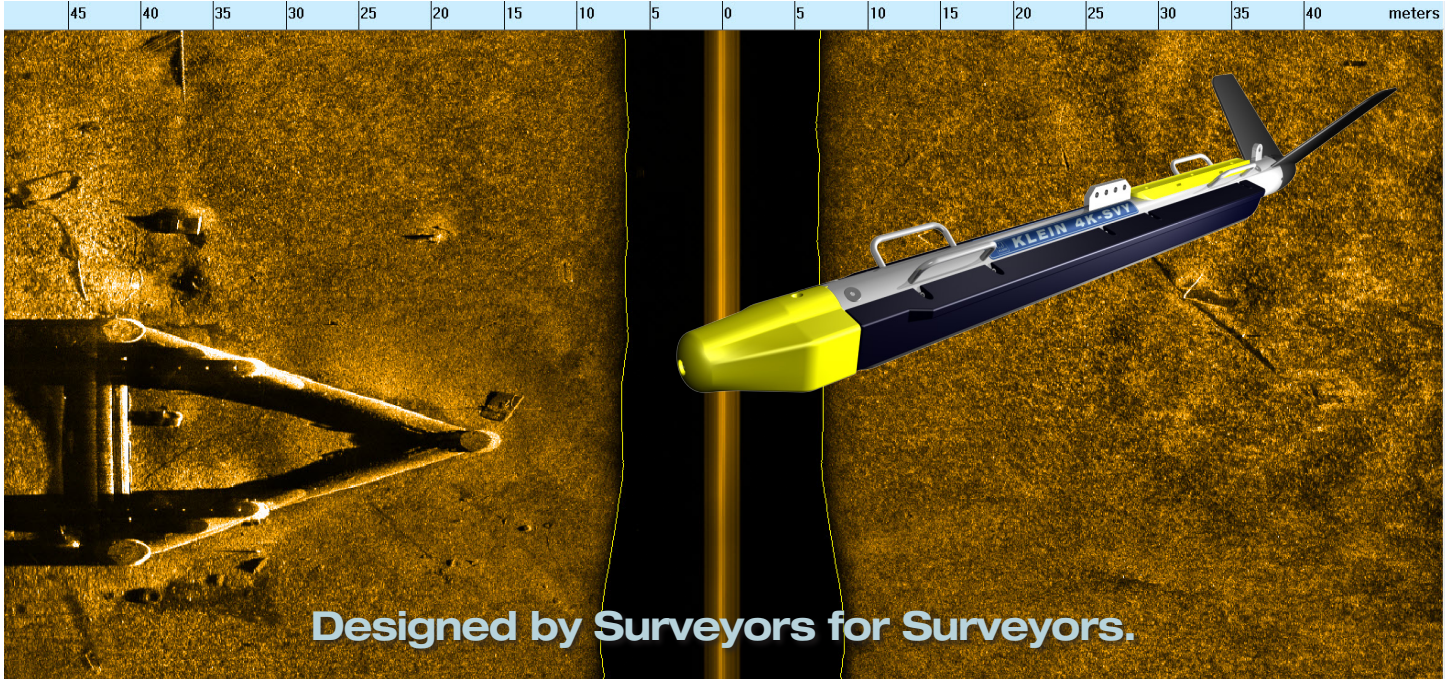




KLEIN
A MIND Technology Business

KLEIN 4K-SVY

PROFESSIONAL SURVEY SIDESCAN SONAR WITH TRU-BOTTOM™ TRACKING



The KLEIN 4K-SVY is the first in a new series of Professional Survey Side Scan Sonars.

Designed specifically to meet the new industry standards for Offshore Renewable Energy and Oil/Gas Survey operations.

SURVEY and HIGH DEFINITION SIMULTANEOUS MODES of operation with optimized range and resolution dependent configurations.

Tru-Bottom™ tracking reduces data processing overhead, with a dedicated altimeter for optimized bottom tracking.

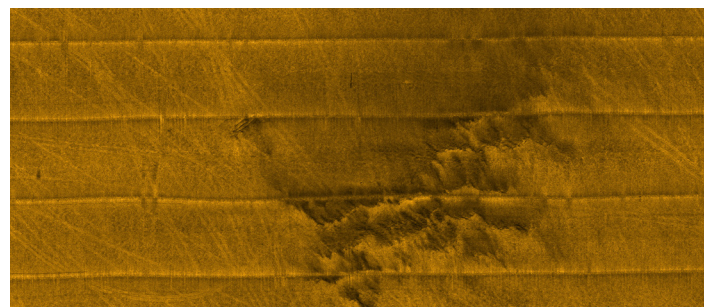
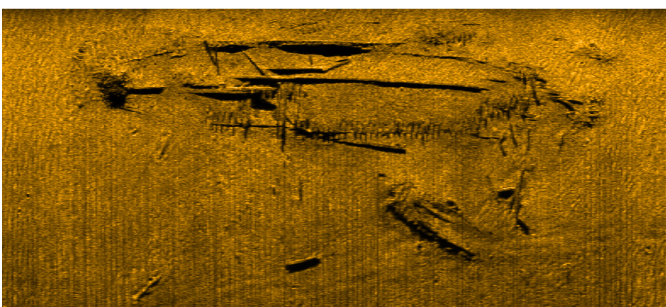
Klein's innovative BLUE TECHNOLOGY™ transducers and advanced processing algorithms produce unmatched image quality and range performance.

Applications:

- Offshore Renewable Energy and Oil/Gas Surveys
- Cable Route Surveys
- Engineering Site Surveys
- Habitat Mapping Surveys
- Hydrographic Charting Surveys

Key Features:

- Dual Modes of Operation: SURVEY/HIGH DEFINITION (300 kHz / 600 kHz)
- Depth Rated to 2000 m
- Accurate Target Positioning at Survey Speeds
- Enhanced Motion Tolerance
- Tru-Bottom™ Tracking

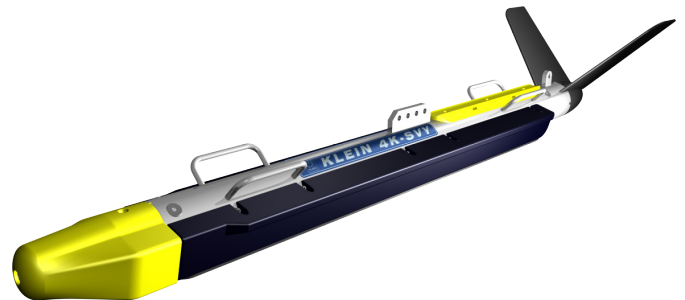
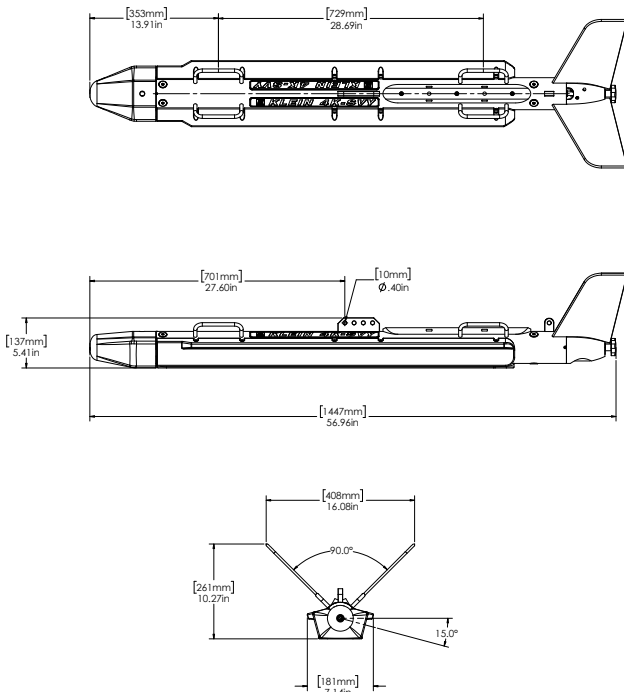


Specifications:

Side Scan Sonar Specifications	
Technology	Klein Blue Technology, Dual Simultaneous, Single Beam SSS
Frequency	300 & 600 kHz
Maximum Range (Per Side)	250 m @ 300 kHz 120 m @ 600 kHz (Environment Dependent)
Maximum Tow Speed	100 m Scan Range – 4 knots 75 m Scan Range – 5 knots 50 m Scan Range – 7.5 knots
Pulse Type	FM CHIRP
Horizontal Beamwidth	0.5° @ 300 kHz 0.3° @ 600 kHz
Vertical Beamwidth	50°
Across Track Resolution	2.4 cm @ 300 kHz 2.4 cm @ 600 kHz
Vertical Beam Center	15° Down from Horizontal
Altimeter	360 kHz: Up to 100 m (Environmental Dependent)

System 4K-SVY Towfish	
Construction	Electro-Polished 316 Stainless Steel
Body Length	1.42 m (56 in)
Outer Diameter	8.9 cm (3.5 in)
Weight (in air / in water)	30 kg (66 lbs) 16 kg (35 lbs)
Maximum Depth Rating	2000 m
Operating Temperature (In-Water)	-2 to 38° C
Storage Temperature	-20 to 65° C
Input Voltage	12VDC or 110/220 VAC (50/60Hz)
Output Data Format	Klein SDF or XTF or Both
Standard Towfish Sensors & Accessories	Heading, Roll and Pitch Sensor Depth (Pressure) Sensor: 0-2000 m Water Temperature Sensor: 0-35° C AmSteel® Safety Cable

Optional Accessories
<ul style="list-style-type: none"> • Keel Weight • K Wing I or II Depressor Wings • Responder Interface • Magnetometer Interface • Power Fail Emergency Pinger Interface • Winch, Launch and Recovery System



MIND Technology is deeply committed to customer support. We are currently servicing valued customers in 80 countries, and relying on a network of competent International Representatives to meet and exceed the service needs of our customers around the world. We provide 24 hour / 7 day a week support.

This technical data and software is considered as Technology Software Publicly Available (TSPA) as defined in Export Administration Regulations (EAR) Part 734.7-11. Specifications subject to change without notice. SonarPro® is a registered trademark of MIND Technology. Cleared for public release. Data, including specifications, contained within this document are summary in nature and subject to change at any time without notice at MIND Technology's discretion. Call for latest revision. All brand names and product names referenced are trademarks, registered trademarks, or trade names of their respective holders. Rev 08/21

KLEIN - A MIND Technology Business

11 Klein Drive • Salem, New Hampshire 03079

Tel: 603.893.6131 • Fax: 603.893.8807 • Email: kleinsales@mind-technology.com
mind-technology.com