

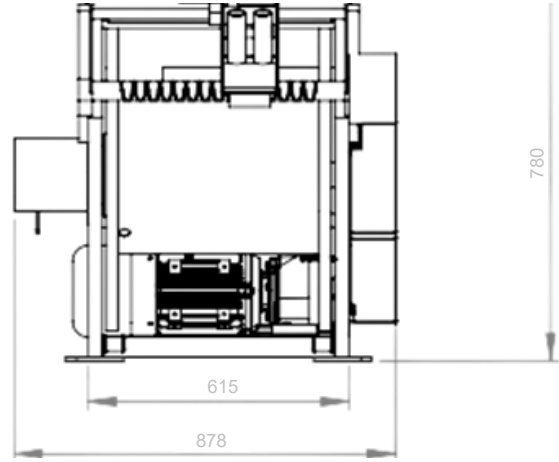
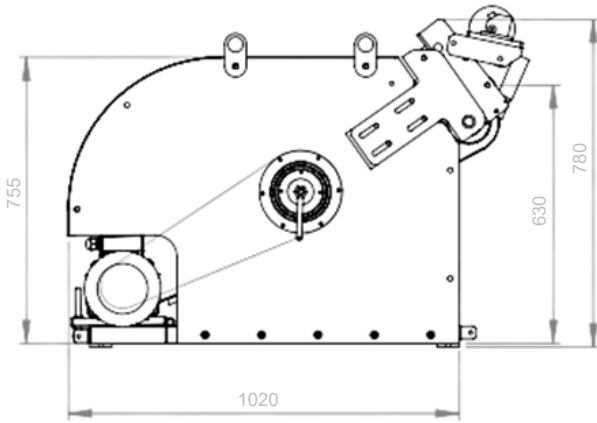
Kordil KD600 Winch for Tow Fish

One man transportable wheeled winch system



Features of Kordil KD600 Winch

| | |
|---------------------|---------------------------------------|
| Voltage | 220V, 50 Hz |
| Power | 2.2 kW |
| Insulator | IP67 |
| Dead Weight | 223 kg |
| Date of Manufacture | January 2023 |
| Wire Capacity | 10.2 mm diameter - 600 m (max. 750 m) |
| Towing Capacity | 330 kgf |
| Speed | Max. 0.7 m/s |



General Material and Parts List

| Part Name | Definition | Quantity |
|--------------------------------|---|----------|
| Motor & Gearbox | YILMAZ RED. - MR273 3E100L/4C 2.2 kW 48 RPM | 1 |
| Drive motor | DELTA ECMA-C10604RS 0.4 kW Servo drive | 1 |
| Slip Ring | Alpha Slip Ring 343-004-105 | 1 |
| LCD Touchscreen | DOP-103BQ Delta HMI 4.3inc | 1 |
| Mechanical Counter | LINPOTEK TNP-3 | 1 |
| Bearing - Belt - Pulley | | |
| Driven Main Pulley - Bearing | 250 dia. mm x SPB - S6009 2RS Inox | 1 |
| Driver Pulley | 150 dia. mm x SPB | 1 |
| Guide Shaft Pulley - Bearing | S6205 2RS Inox | 2 |
| Slipring Bearing | 6021 2RS | 1 |
| Drive Belt | SPB 1600 dia. mm | 1 |
| Cable Roller Bearings | S6301 2RS Inox | 12 |